



### THERMAL CHARACTERISTICS

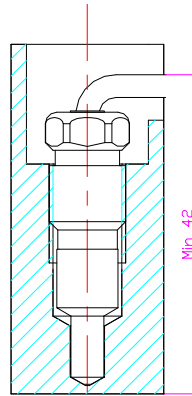
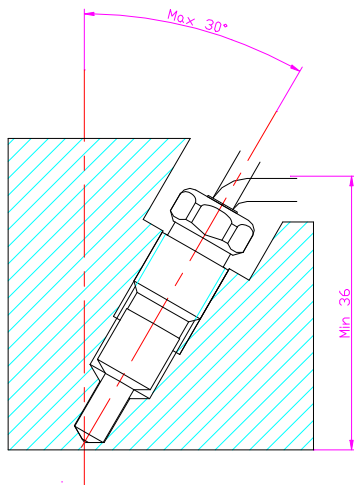
Symbol	Parameter	Min	Typ	Max	Units
T <sub>nom</sub>	Operating temperature		250		°C
T <sub>pulse</sub>	Maximum temperature		300		°C
φ	Heat flow level	±10		±100k	W/m <sup>2</sup>

### ELECTRICAL CHARACTERISTICS

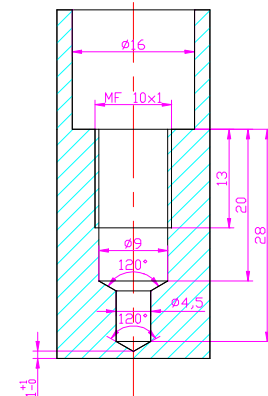
Symbol	Parameter	Min	Typ	Max	Units
R <sub>in</sub>	Differential input resistance		3		Ω
V <sub>noise</sub>	RMS measurement noise		0.1		μV <sub>RMS</sub>
Sensi	Sensitivity		+10		nV/W/m <sup>2</sup>
BW	Bandwidth		1		Hz
V <sub>isol</sub>	Output voltage		500		Vac
V <sub>nom</sub>	Breakdown voltage		±20		mV

Thermocouple type (only Tfx-191-T): T

### CROWDING



### FIXING



Fixing with a 10/11mm tube spanner.  
 Sensor axle can make a maximal angle of 30° with no normal axle of cavity face.

### SENSOR CABLING

Industry, small mould	Mould	Extension cable	Electric cab
<ul style="list-style-type: none"> <li>- Sensor with straight plug</li> <li>- Extension M/F</li> </ul>			
Industry, large mould	Mould	Extension cable	Electric cab
<ul style="list-style-type: none"> <li>- Sensor with fixed socket</li> <li>- Extension M/M</li> </ul>			

- Extension length: 4m, other length on demand (max. 10m)
- Order accessories separately

### CONTENTS

- 1 sensor

TFX SA reserves the right to change the circuitry and specifications without notice at any time.