

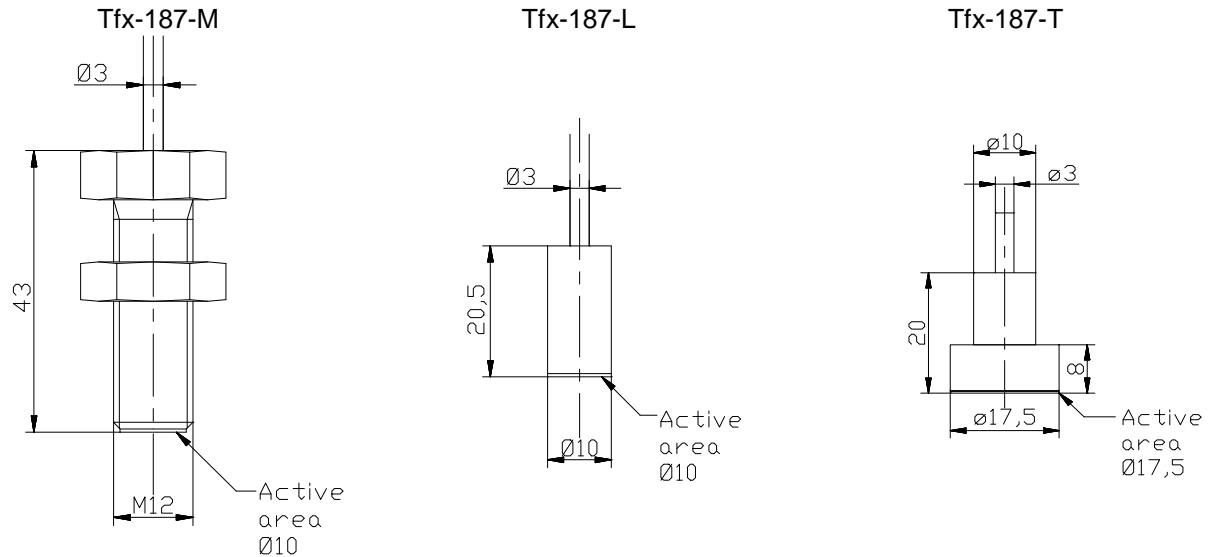


**ELECTRICAL CHARACTERISTICS**

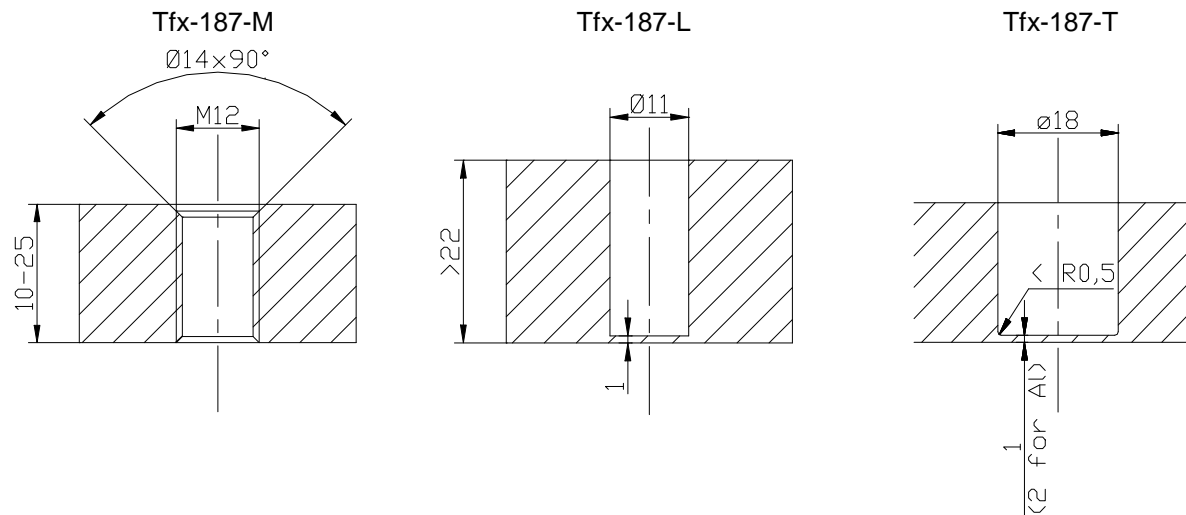
Symbol	Parameter	Min	Typ	Max	Units
$R_{in}$	Differential input resistance		0.5		$\Omega$
Sensi	Sensitivity		400		nV/W/m <sup>2</sup>
BW	Bandwidth		10		Hz
$V_{isol}$	Output voltage		500		Vac

Thermocouple type: T

**CROWDING**



**FIXING**



**CONTENTS**

- 1 sensor
- 1 nut M12x0.5d (-M)

TFX SA reserves the right to change the circuitry and specifications without notice at any time.