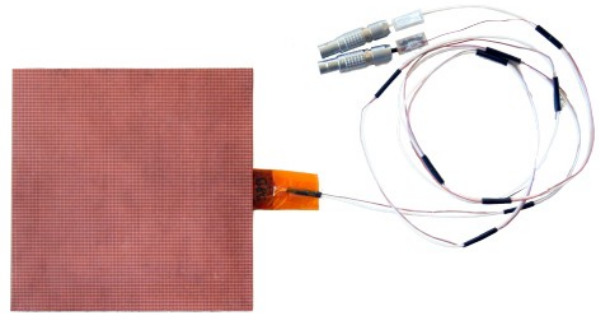


- Conductive and Convective heat flux plus temperature sensors
- Operating temperature up to 230 °C
- Active or passive types



**DESCRIPTION**

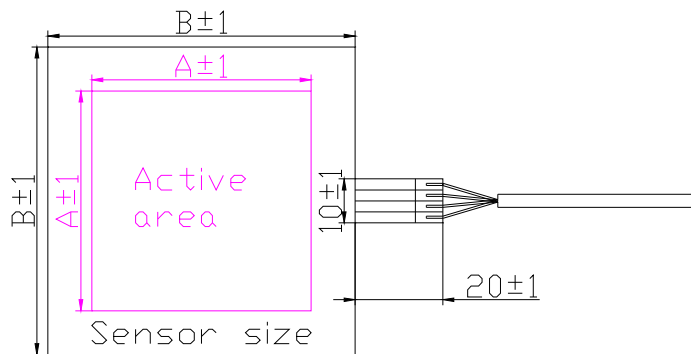
HCFS sensors are Conductive and Convective Heat Flux Sensors designed for autoclaves, ovens and flat tools. They can be placed in a cavity of the tool, integrated in the tool (RTM light) or on surface and protected by tape or under a vacuum bag.

**PRODUCTS CHARACTERISTICS**

**COATING**

Code	Type	Thickness [mm]
N	Natural: copper	0.4 ± 0.15

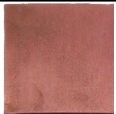
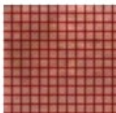
**SIZE**



Code	Active area	Sensitivity [ $\mu\text{V}/\text{W}/\text{m}^2$ ]	A [mm]	B [mm]
01	10x10	-0.15		10
02	20x20	-0.5		20
03	30x30	-1		30
05	50x50	-15	50	70
10	100x100	-60	100	120

Other sizes and shapes up to 300mm x 300mm on demand

**RIGIDITY**

Code	Type	Aspect
A	Active (rigid)	
R	Rigid	
F	Flexible	
H	High pressure (rigid)	

