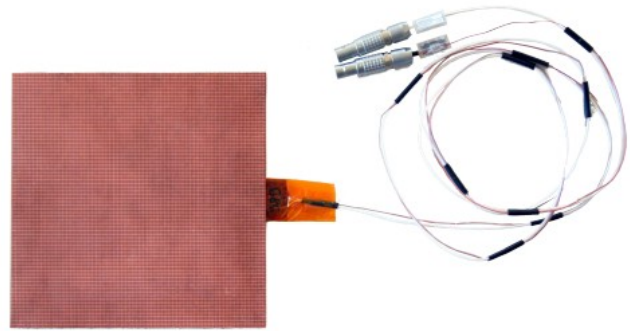


- Conductive type HCFS
- Operating temperature up to 230 °C
- Active or passive types



**DESCRIPTION**

HCFS sensors are Conductive and Convective Heat Flux Sensors designed for autoclaves, ovens and flat tools.

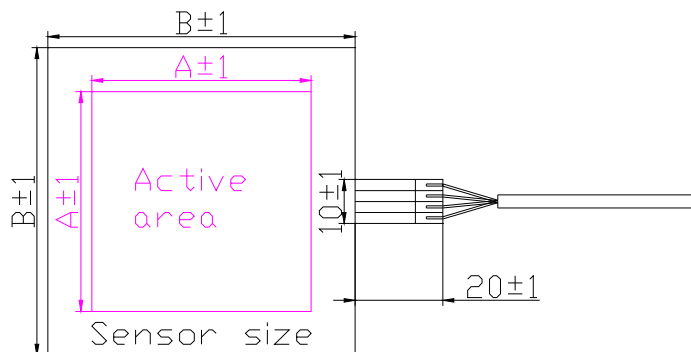
They can be placed in a cavity of the tool, integrated in the tool (RTM light) or on surface and protected by tape or under a vacuum bag.

**RANGE OF PRODUCTS**

**COATING**


Code	Type	Maximal temperature	Thickness [mm]
N	Natural	230°C	0.4 ± 0.15

**SIZE**



Code	Active area	Sensitivity [ $\mu\text{V}/\text{W}/\text{m}^2$ ]	A [mm]	B [mm]
01	10x10	~0.15	10	
02	20x20	~0.5	20	
03	30x30	~1	30	
05	50x50	~15	50	70
10	100x100	~60	100	120

**RIGIDITY**

Code	Type	Aspect
R	Rigid	
F	Flexible	