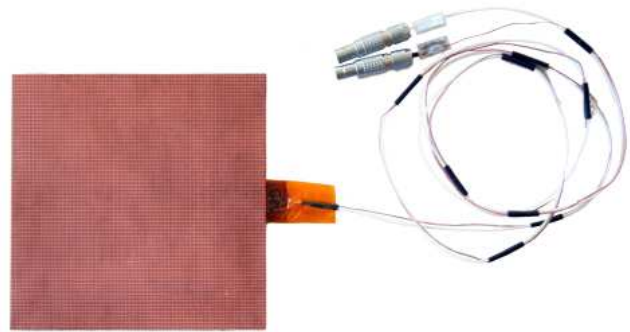


- Conductive type HCFS®
- Operating temperature up to 230°C
- Active or passive types



### DESCRIPTION

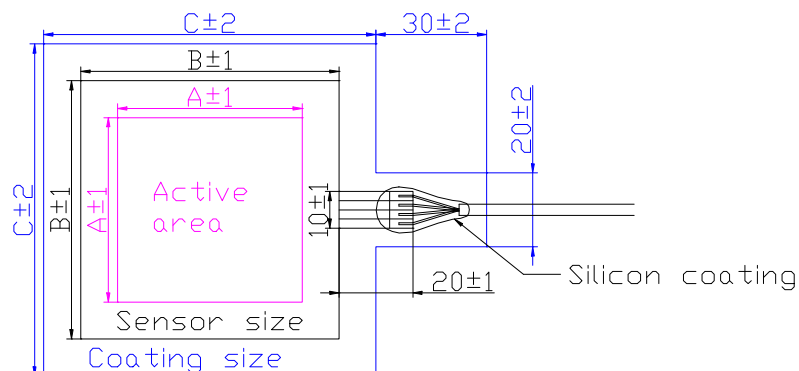
HCFS sensors are Heat Conductive Flux Sensors designed for autoclaves, ovens and flat tools. Typical applications are RTM, Infusion, Autoclave in aeronautical and food industry. They can be placed in a cavity of the tool, flooded in the tool (RTM light) or stick on vacuum bag.

### RANGE OF PRODUCTS

#### COATING


Code	Type	Maximal temperature	Thickness [mm]
N	Natural	230°C	0.4 ± 0.15
S	Silicon rubber	230°C	2.5 ± 0.5
B	Silicon-free rubber	200°C	2.5 ± 0.5

#### SIZE



Code	Active area	Sensitivity [ $\mu\text{V/W/m}^2$ ]	A [mm]	B [mm]	C [mm]
01	10x10	~0.15		10	30
02	20x20	~0.5		20	40
03	30x30	~1		30	50
05	50x50	~15	50	70	90
10	100x100	~60	100	120	150

#### RIGIDITY

Code	Type	Aspect
R	Rigid	
F	Flexible	