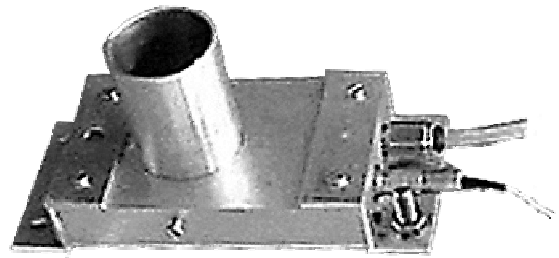


Radiative sensor Tfx-156

- Radiative type HRFS®
- Operating temperature 150°C
- Select tube length
- Fast deployment
- Cleaned by air



DESCRIPTION

The radiative sensor Tfx-156 measures flow in an isotropic room. The used detector measures directly the radiative heat flow (infra-red emitted in the range from 1 to 25 microns)

The temperature of the detector is given by an integrated thermocouple, which makes it possible to compute the temperature of the target aimed in real time.

This operation is carried out in a module aDDa-R/MM/R+S.

PRODUCT

Product number	Product reference	Tube length	Full height H
156.06	Capteur radiatif Tfx-156, 60mm	60 mm	72.5 mm
156.10	Capteur radiatif Tfx-156, 100mm	100 mm	112.5 mm

THERMAL CHARACTERISTICS

Symbol	Parameter	Min	Typ	Max	Units
T _{nom}	Operating temperature	0	150	200	°C
φ	Heat flow level	±0.01		±5k	W/m ²

ELECTRICAL CHARACTERISTICS

HEAT FLUX

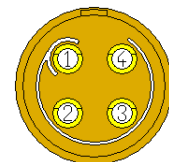
Symbol	Parameter	Min	Typ	Max	Units
R _{in}	Differential input resistance		50		Ω
Sensi	Sensitivity		-3		μV/W/m ²
BW	Bandwidth		50		Hz
V _{isol}	Breakdown voltage		500		Vac
V _{nom}	Output voltage		±1		mV

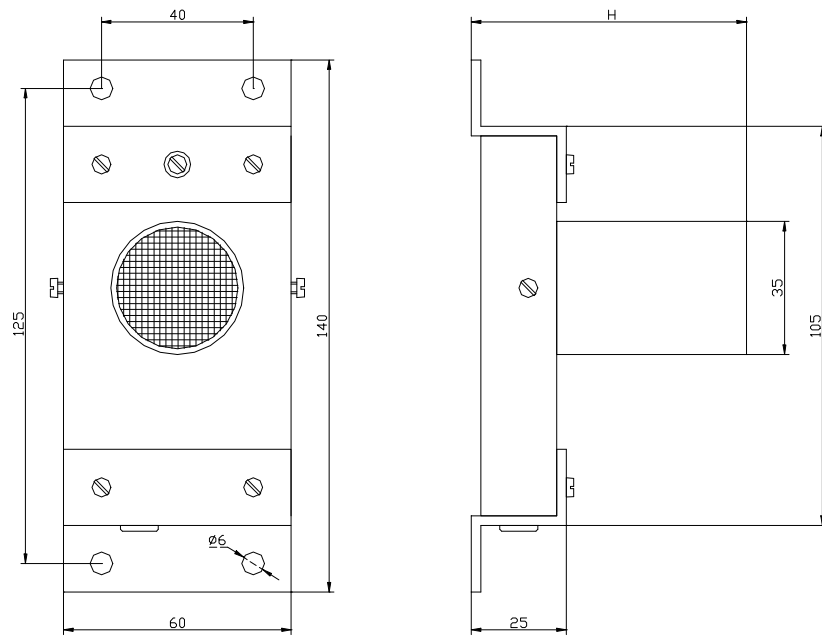
THERMOCOUPLE

Symbol	Parameter	Min	Typ	Max	Units
Type	Thermocouple type		T		

PIN CONFIGURATION OF JACK: LEMO FGG-0B.302

Pin	Symbol	Parameter
1	F+	Heat flux positive differential input
2	TC+	Thermocouple positive differential input
3	TC-	Thermocouple negative differential input
4	F-	Heat flux negative differential input
Screen		Earth



CROWDING**CONTENT**

- 1 sensor
- 1 extension cable, heat flux and thermocouple

TFX SA reserves the right to change the circuitry and specifications without notice at any time.