

- **Supply for aDDa modules with 24V**
- **Power 10W (15W)**
- **Data conversion to RS-232**
- Fast deployment
- Entry wide range 85-264V_{AC}
- Cables included



DESCRIPTION

ADDa-I interface supplies aDDa modules (24V_{DC}) and converts data format from RS485 on the bus to RS232 (insulated) for the PC. The bus, wired with standard USB type A connections, is able to supply modules and transfer data. Each module on the bus has 2 plugs to extend the equipment.

Product number	Product reference	Power	Modules on bus
131.10	aDDa-I-10	10W	Up to 10
131.15	aDDa-I-15	15W	Up to 15

SUPPLY

INPUT ELECTRICAL CHARACTERISTICS

Symbol	Parameter	Min	Typ	Max	Units
U _{in}	Input voltage	85		264	V _{AC}
f	Frequency	50		440	Hz
η	Efficiency		P _{nom} = 10W	74	%
			P _{nom} = 15W	78	%

- Integrated EMC filter
- CEE standard plug

OUTPUT ELECTRICAL CHARACTERISTICS

Symbol	Parameter	Min	Typ	Max	Units
VCC	Output voltage	23.5	24	24.5	V _{DC}
I _{out}	Output current		P _{nom} = 10W	400	mA
			P _{nom} = 15W	600	mA

- Protected against short-circuit

INSULATION

- Each input-output is separately insulated
- Input between others: 1500 V_{AC}
- RS232 between others: 500 V_{DC}
- Bus between others: 500 V_{DC}

COMMUNICATION

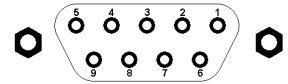
BASIC

RS485 type, half duplex, with proper protocol. The PC is master, so when the PC talks, it takes the line. In other case it waits and reads transferred data.

Symbol	Parameter	Min	Typ	Max	Units
B _{rate}	Transfer data rate		19'200		bps
T ₁	Line hold time		600		μs
T ₂	Response valid data time		1.2		ms
T ₃	Propagation delay		Rising edge		μs
T ₄			Falling edge		μs

PIN CONFIGURATION OF RS-232: SUB-D 9 PINS FEMALE

Pin	Symbol	Parameter
2	RX	Input data
3	TX	Output data
5	GND	0V
Screen	Earth	Screen continuity

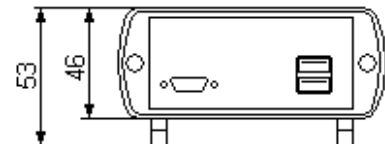
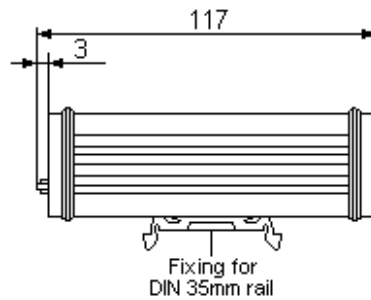
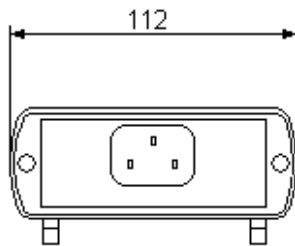


PIN CONFIGURATION OF THE BUS: USB TYPE A STACKED

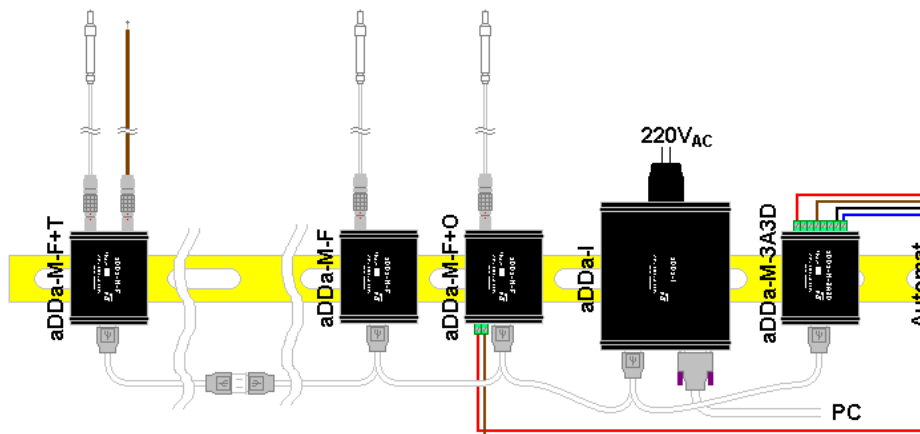
Pin	Symbol	Parameter
1	VCC	Power supply
2	D-	RS485 differential communication, negative signal.
3	D+	RS485 differential communication, positive signal.
4	GND	Ground
Screen	Earth	Screen continuity



CROWDING



CABLING



CONTENTS

- 1 aDDa-I module
- 1 power cable 220V_{AC} with Swiss T12 or CEE Schuko jack on euro C13 plug of 2.5m
- 1 extension for RS-232 D-SUB 9 pins of 1.8m

TFX SA reserves the right to change the circuitry and specifications without notice at any time.